

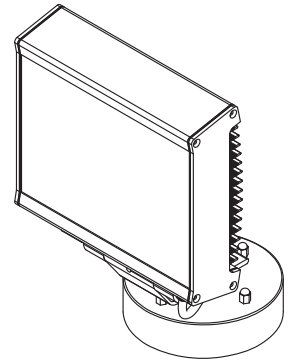
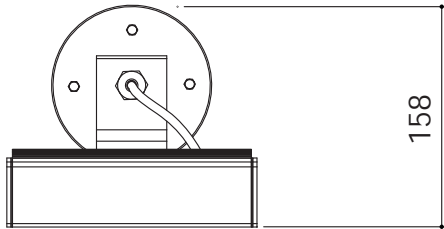
FLAT SHOT combines fantastic, saturated wall washing color and color changing effects with high-performance, operational efficiency, and simplified installation. FLAT SHOT is a sealed product designed for both indoor and outdoor installations. The fixture is fully enclosed in a stylish and rugged aluminum housing and meets specifications for use in wet locations. The pre-assembled mounting base provides smooth, friction-free rotation. The base is designed to simplify installation by minimizing parts and allowing for after-installation rotation.

SPECIFICATION

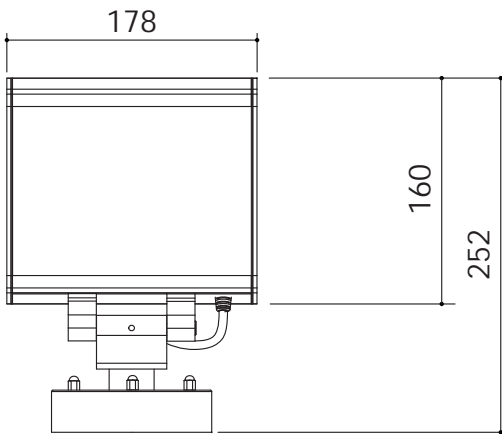
Display color	white
Lamp composition	18 High power white LEDs (Warm 18ea or Cool 18ea)
Beam angle	10°/30°
Color temperature	3000k ~ 7500k
Maximum connection No.	1 line for 1 module
Housing	Aluminium/polycarbonate
Waterproof class	IP66
Power consumption	1.0A @24VDC (Max.25W)
Operating temperature	-20°C ~ 80°C
Storage temperature	-40°C ~80°C
Sizes	348*252*158(W.H.D)mm

PHYSICAL DIMENSIONS

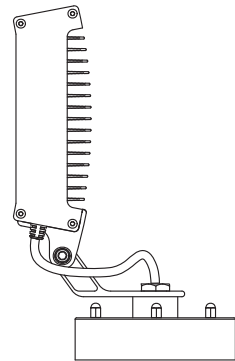
Top



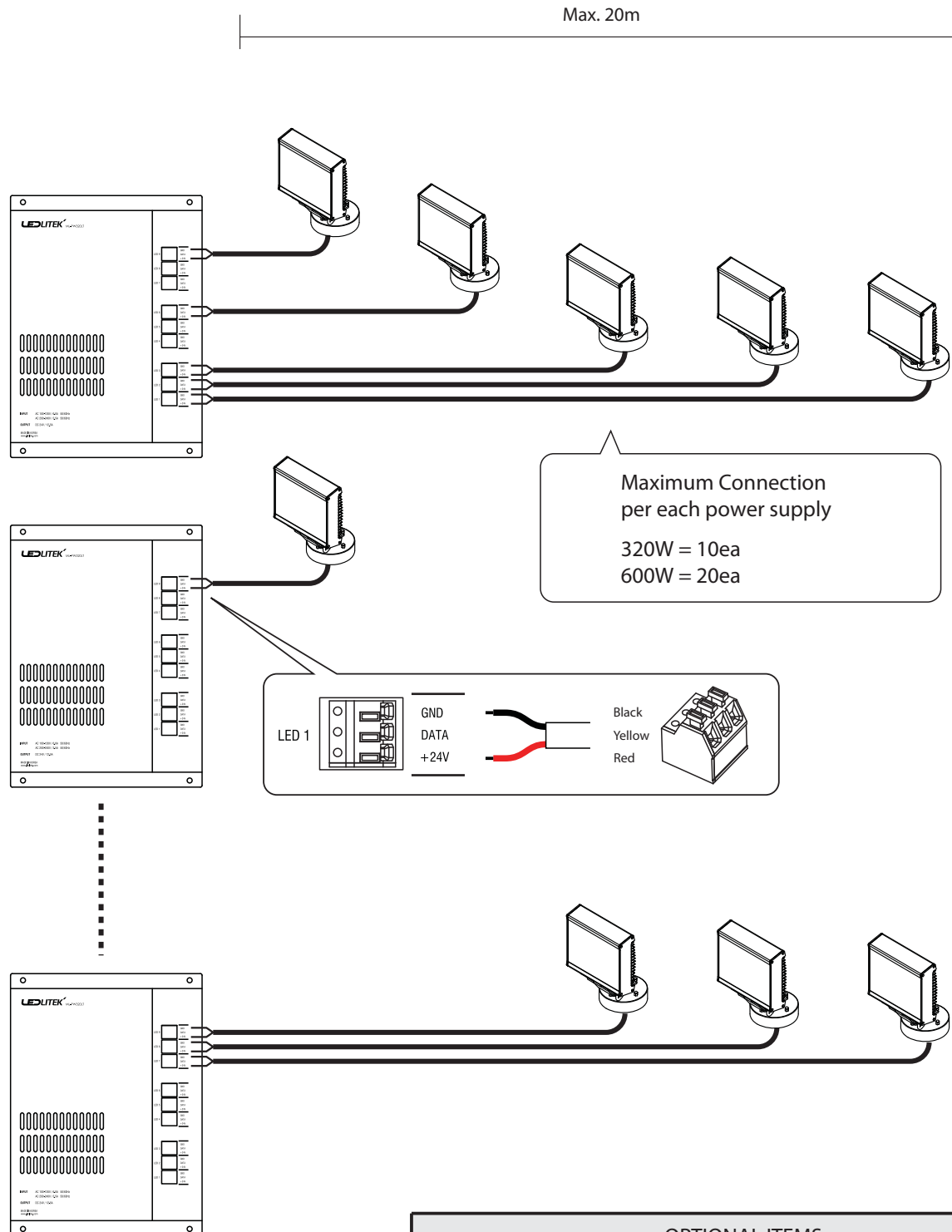
Front



Side

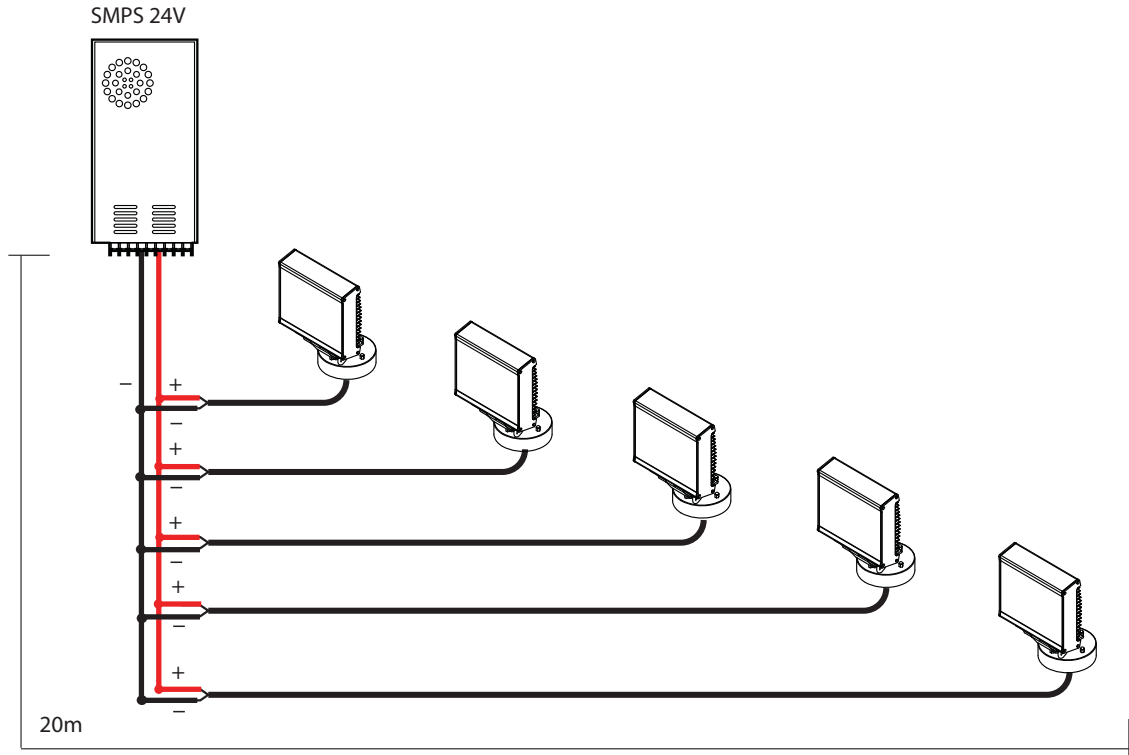


FUNCTIONAL FLOW DIAGRAM



OPTIONAL ITEMS	
Power Supply	DC Power supply (ML-PW150LT, 320LT, 600LT)
Controller	Non
Address Unit	Non

Using General Power



Maximum Connection
per each power supply

- 150W = 5ea
- 320W = 10ea
- 600W = 20ea